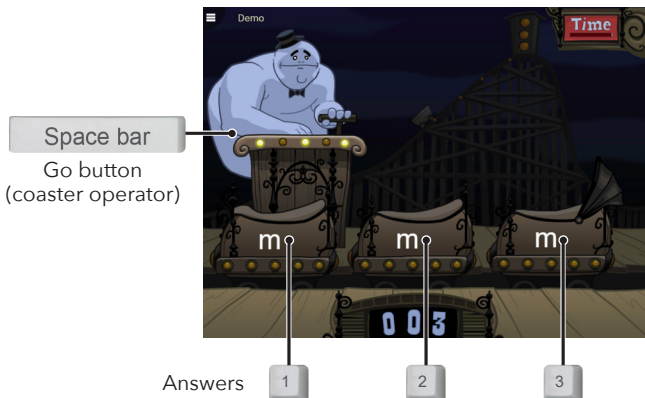


READING READINESS KEYBOARD SHORTCUTS

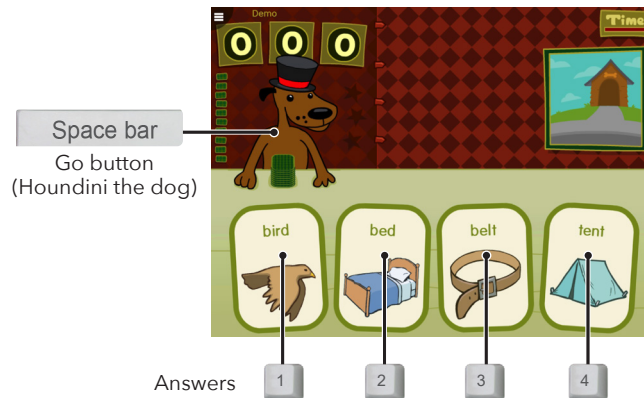
Coaster

Goal/Task: Build phonemic awareness and letter-sound association skills by selecting the letter that matches the initial sound of a spoken CV syllable.



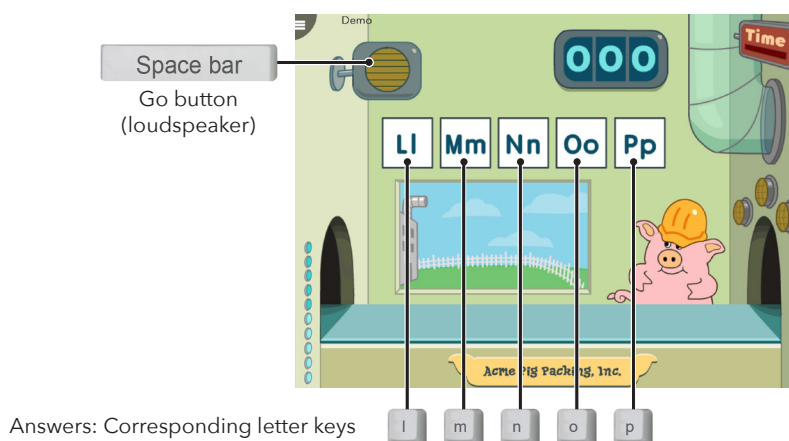
Houndini

Goal/Task: Build phonemic awareness and decoding skills by identifying words with a different initial, medial, or final sound than other words.



Packing Pig Goes to Work

Goal/Task: Build letter recognition and naming skills for uppercase and lowercase letters by identifying uppercase and lowercase letters.



The following Reading Readiness exercises do not have any keyboard shortcuts:

Hungry Tummy

Goal/Task: Build skills in following directions and basic vocabulary by identifying objects of various colors, shapes, and sizes, in response to verbal instructions.

Inside the Tummy

Goal/Task: Build fine motor skills and hand-eye coordination by matching objects by shape and/or color.

Packing Pig Has Lunch

Goal/Task: Build letter recognition and naming skills for uppercase and lowercase letters by identifying and selecting matching pairs of uppercase and lowercase letters in a grid.